

ThermalTronix

TT-LN-BFTC Series

Thermal Camera Specifications



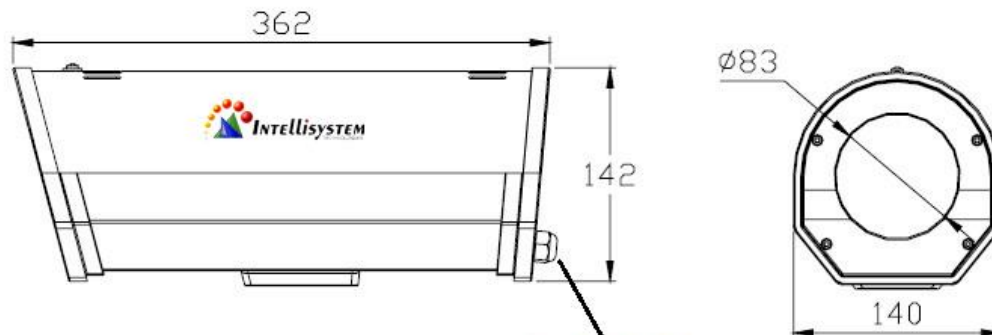
FEATURES

- ❖ Passive thermal imaging technology.
- ❖ 384x288 pixels uncooled amorphous silicon micro –bolometer.
- ❖ Special function of Gray level trigs alarm (alarm level options).
- ❖ Multi-definite modes, which meet different needs.
- ❖ RS-485 control, support PELCO-D/P.
- ❖ Video over Ethernet.

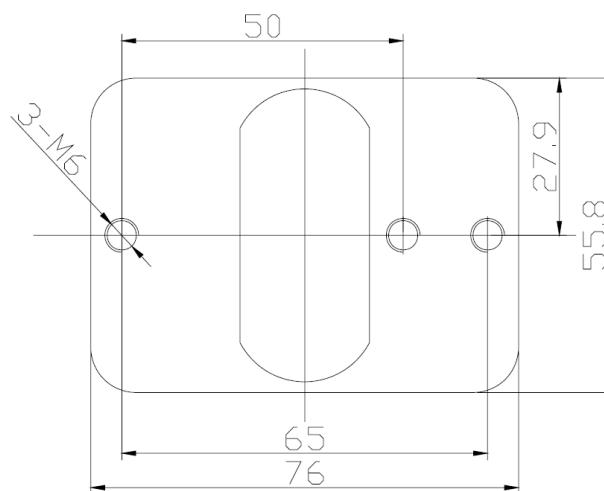
DESCRIPTION

All weather surveillance site like: Factory Park, airport, parking pot, sea costal, etc.

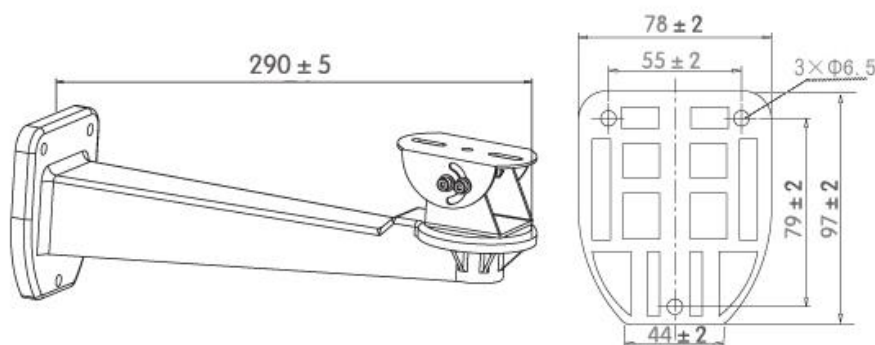
DRAWING



Thermal camera



Bottom side of thermal camera



Wall mount bracket (optional accessory)

Intellisystem Technologies S.r.l.

Via Augusto Murri, 1 - 96100 Siracusa

Phone +39 (0)931-1756256 / +39 (0)2-87167549 - Mobile (+39) 335 1880035

em@il: info@intellisystem.it WEB: <http://www.intellisystem.it>

SPECIFICATIONS

Items	<i>ThermalTronix</i>			
	TT-1009LN-BFTC	TT-1018LN-BFTC	TT-1037LN-BFTC	TT-1050LN-BFTC
One head surveillance system				
Detector type	Amorphous Silicon micro-bolometer FPA			
Spectral range	8~14μm			
Pixels	384×288			
Pixel size	25μm			
Focus length	9mm	18mm	37mm	50mm
Lens type	Athermalized, focus free			
FOV	61.1°*45.8°	30.6°*22.9°	14.8°*11.1°	11°*8.2°
Free focus distance	0.8m~∞	3m~∞	12m~∞	23m~∞
Video output	(H.264/MPEG4/MPEG2/MJPEG)			
Frame rate	50Hz			
Image polarity	Black hot /white hot			
Interface	RS485, PELCO-D/PELCO-P/Intellisystem			
Housing				
Color	White			
Material	Aluminum			
Sun shield	YES			
Fan and heater	YES			
System characteristics				
Dimensions	362(L)×140(W)×145(H)			
Protection level	IP66			
Weight	3.5kg			
Working Temp	-20°C ~ 50°C			
Storage Temp	-40°C ~ 70°C			
System interface				
Video	PAL 1 CH			
Com	RJ-45 10M/100Mbps			
Protocol	TCP/IP,UDP,IPv4/v6,HTTP,FTP,RTP,RTSP,DHCP,DNSNDynDNS,SMTP, BonjourSNMPv1/v2c/v3, OnVIF, PSIA, UPNP, Multiple ptz protocols			
Baud rate	2400/4800/9600 bps			
Power supply	DC12V			
Power consumption	<60W (add heater)			